

Form 8448, Revised  
(437)  
Printed in U. S. A.

# LIST OF PARTS



MACHINES  
Nos. 105-1, 105-2 and 105-3

---

\*\* A TRADE MARK OF  
THE SINGER MANUFACTURING COMPANY

# INSTRUCTIONS FOR OILING

---

To ensure easy running and prevent unnecessary wear of the parts which are in movable contact, the machine requires oiling and when in continuous use, "TYPE B" or "TYPE D" OIL, sold only by Singer Sewing Machine Company, should be applied at least twice each day to all oil holes marked "OIL".

## INDEX

---

	Page
Accessories.....	29
Foot Lifter Parts.....	29
Knee Lifter Parts (for Machines Nos. 105-1 and 105-2)	30
Knee Lifter Parts (for Machine 105-3).....	31
Machine Base.....	29
Machine No. 105-1.....	5
Machine No. 105-2.....	13
Machine No. 105-3.....	21
Numerical List of Parts.....	35
Obsolete Parts.....	32
Thread Unwinder.....	31

From the library of: Diamond Needle Corp.

## INSTRUCTIONS FOR ORDERING

In ordering from this list, use ONLY the part NUMBER in the FIRST column.

The number stamped on a Sewing Machine Part is in every case the number of the single part only.

Every combination of parts sent out as such has its specific number, which, although not stamped on the parts, must be used when ordering the combination.

Each number always indicates the SAME PART in whatever list it appears, or for whatever machine.

The letters after some of the numbers indicate the style of finish only, as follows:

- A-Hardened, Polished, Nickel Plated and Buffed
- B-Polished, Nickel Plated and Buffed
- C-Hardened Only
- D-Polished Only
- E-Soft, Not Polished
- F-Hardened and Polished
- F.J-Hardened, Polished and Nickel Plated
- G-Bright Rumbled and Nickel Plated
- H-Blued
- J-Nickel Plated Only
- K-Hardened and Nickel Plated
- L-Brass Plated
- M-Oxidized
- N-Japanned, Dull
- P-Japanned, Bright
- R-Merlized
- S-Cadmium Plating
- T-Copper Plated
- T.A-Hardened, Polished, Copper and Nickel Plated and Buffed
- T.B-Copper and Nickel Plated and Polished
- T.J-Copper and Nickel Plated Only
- T.K-Hardened, Copper and Nickel Plated
- T.M-Copper Plated and Oxidized
- T.L-Copper and Brass Plated
- U-Zinc Plated
- V-Silver Plated
- W-Polished and Nickel Plated
- Y-Black Nickel Plated Only
- Z-Chromium Plated
- Z.B-Polished, Nickel Plated, Buffed and Chromium Plated
- Z.J-Nickel and Chromium Plated

These letters MUST BE USED when they appear in the list; and AFTER the number as in the list.

In this series:

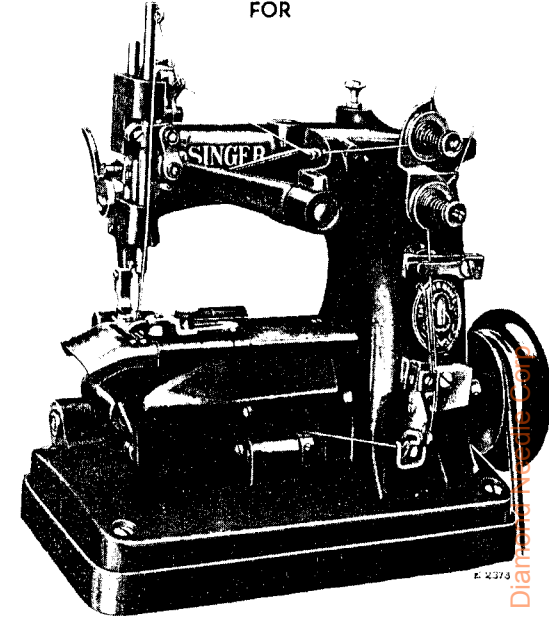
- 1 to 1500, 50001 to 51500 and 140001 to 142000 are Screw Numbers
- 1501 to 1800 and 51501 to 51800 are Nut Numbers
- 1801 to 2000 and 51801 to 52000 are Roller Numbers
- 2001 to 50000 and 52001 to 140000 and 142001 to 190000 are Sewing Machine Parts, 190001 and upward are numbers of Electrical Parts.

The figures in the second column refer only to the plates, illustrating the parts, and are NOT TO BE USED in ordering.

Parts marked with an asterisk (\*) are furnished only when repairs are made at factory.

## LIST OF PARTS COMPLETE

FOR



MACHINE No. 105-1

For Stitching Harvesters' Gloves. One needle, one looper; cylindrical shaped throat plate. Makes seven to twelve stitches to the inch. Speed 3500 R. P. M.

No.	Plate	Name
*59201	-----	Arm, upper and lower (solid) with 15404 and two 15405.....
59491	22579	Arm Rotary Shaft.....
*59809	7369	" " " Bushing (back).....
59810	-----	" " " " " 59809 with 52045 and 59611.....
59611	7369	Arm Rotary Shaft Bushing (back) Oil Wick (braided cotton).....
52045	7369	Arm Rotary Shaft Bushing (back) Packing (wick).....
50554C	7369	Arm Rotary Shaft Bushing (back) Set Screw.....
59524	7369	Arm Rotary Shaft Bushing (front) with 52045.....
52045	7369	Arm Rotary Shaft Bushing (front) Packing (wick).....

No.	Plate	Name
448C	7369	Arm Rotary Shaft Bushing (front) Set Screw.....
*59612	7369	Arm Rotary Shaft Bushing (intermediate).
59613	-----	" " " " " "
		59612 with 52045 and 128571.....
128571	7369	Arm Rotary Shaft Bushing (intermediate) Oil Wick (braided cotton).....
52045	7369	Arm Rotary Shaft Bushing (intermediate) Packing (wick).....
50554C	7369	Arm Rotary Shaft Bushing (intermediate) Set Screw.....
*59628	22579	Arm Side Cover.....
59629	22579	" " " 59628 with 59630, 59631 and 132555.....
*59630	22579	Arm Side Cover Oil Tube, for oiling Needle Bar Lever Connecting Rod....
59631	7369	Arm Side Cover Oil Tube Oil Cup.....
132555	22579	" " " " " " Wick (braided cotton).....
1423J	7335	Arm Side Cover Screw.....
59208	22579	Balance Wheel, 2 3/16 in. pulley with 424C and 1354C.....
1354C	7369	Balance Wheel Position Screw.....
424C	7369	" " Set Screw.....
59209	22579	Feed Bar with two each 449C and 882C....
59621	-----	" " 59209 with 59211 and 59623.....
59622	22579	" " Carrier with two 882C and four 449C.....
59623	-----	Feed Bar Carrier 59622 with 59617 and 59618.....
57234	22579	Feed Bar Carrier Hinge Pin.....
57235	7369	" " " " " Bushing.....
457C	7369	" " " " " Set Screw
449C	7369	" " " " " Set Screw....
59211	7369	" " Hinge Pin.....
59617	7369	" " " " " Bushing (left).....
882C	7369	" " " " " Set Screw
59618	7369	" " " " " (right).....
882C	7369	" " " " " Set Screw
882C	7369	" " " " " Set Screw.....
59212	7327	" Dog, 16 teeth (12 teeth to the inch)
Note: Feed Dog No. 59212 is regularly furnished unless otherwise specified on order.		
59302	7328	Feed Dog, 10 teeth (12 teeth to the inch)
59383	7370	" " 13 teeth (16 teeth to the inch)
59437	7370	" " 29 teeth (22 teeth to the inch)
176J	7370	" " Screw.....
*59213	-----	" Eccentric with 130337.....
*59494	-----	" " Body with 42727.....
51061C	7369	" " " Set Screw.....

No.	Plate	Name
7071	7368	Feed Eccentric Clamping Washer.....
217E	7368	" " " " Screw....
130337	7368	" " Lubricating Oil Pad (wood)
59495	7369	Feed Eccentric (adjustable) complete, Nos. 217E, 7071, 50328C, 59213, 59494 and two 51061C.....
59317	-----	Feed Eccentric 59495 with 59216.....
59216	7368	" " Connection with 12002 and 139110.....
59217	7368	Feed Eccentric Connection Bar with 59218
59218	7368	" " " " Plug.....
449C	7369	" " " " Set Screw.
139110	7368	" " " Oil Wick (braided cotton).....
12002	7368	Feed Eccentric Connection Oil Wick Retaining Pin.....
59513	7368	Feed Lifting Eccentric with two 50150C..
59514	-----	" " " 59513 with 59220.
59220	7329	" " " Connection.....
59221	7329	" " " Bar with 59218.....
12454	7368	Feed Lifting Eccentric Connection Bar Oil Tube with 132590.....
59619	7368	Feed Lifting Eccentric Connection Bar Oil Tube Bracket.....
59620	7368	Feed Lifting Eccentric Connection Bar Oil Tube Bracket 59619 with 12454..
190J	7336	Feed Lifting Eccentric Connection Bar Oil Tube Bracket Screw.....
132590	7368	Feed Lifting Eccentric Connection Bar Oil Tube Oil Pad (wick).....
59218	7368	Feed Lifting Eccentric Connection Bar Plug.....
449C	7369	Feed Lifting Eccentric Connection Bar Set Screw.....
42727	7368	Feed Lifting Eccentric Position Pin....
50150C	7329	" " " Set Screw.....
50328C	7368	" Regulating Screw.....
36768	7368	Guide (roller) with 1852.....
1852	7368	" Roller and Screw Stud.....
51224W	7368	" Thumb Screw.....
59222	7329	Looper with 590J and 59234.....
59381	7329	" Carrier with 50395C.....
59224	7329	" " Driver with two 1186E....
59435	-----	" " " 59224 with 59226, 59227 and 59381.....
1186E	7329	Looper Carrier Driver Clamping Screw....
207J	7336	" " " Timing Screw.....
59225	7329	" " Hole Plug.....
59226	7329	" " Shaft.....

No.	Plate	Name	No.	Plate	Name
448C	7369	Arm Rotary Shaft Bushing (front) Set Screw.....	7071	7368	Feed Eccentric Clamping Washer.....
*59612	7369	Arm Rotary Shaft Bushing (intermediate).	217E	7368	" " " " Screw....
59613	-----	" " " " " " "	130337	7368	" " Lubricating Oil Pad (wood)
		59612 with 52045 and 128571.....	59495	7369	Feed Eccentric (adjustable) complete, Nos. 217E, 7071, 50328C, 59213, 59494 and two 51061C.....
128571	7369	Arm Rotary Shaft Bushing (intermediate) Oil Wick (braided cotton).....	59317	-----	Feed Eccentric 59495 with 59216.....
52045	7369	Arm Rotary Shaft Bushing (intermediate) Packing (wick).....	59216	7368	" " Connection with 12002 and 139110.....
50554C	7369	Arm Rotary Shaft Bushing (intermediate) Set Screw.....	59217	7368	Feed Eccentric Connection Bar with 59218
*59628	22579	Arm Side Cover.....	59218	7368	" " " " Plug.....
59629	22579	" " " 59628 with 59630, 59631 and 132555.....	449C	7369	" " " " Set Screw.
*59630	22579	Arm Side Cover Oil Tube, for oiling Needle Bar Lever Connecting Rod....	139110	7368	" " " Oil Wick (braided cotton).....
59631	7369	Arm Side Cover Oil Tube Oil Cup.....	12002	7368	Feed Eccentric Connection Oil Wick Retaining Pin.....
132555	22579	" " " " " " Wick (braided cotton).....	59513	7368	Feed Lifting Eccentric with two 50150C..
1423J	7335	Arm Side Cover Screw.....	59514	-----	" " " 59513 with 59220.
59208	22579	Balance Wheel, 2 3/16 in. pulley with 424C and 1354C.....	59220	7329	" " " Connection.....
1354C	7369	Balance Wheel Position Screw.....	59221	7329	" " " " Bar with 59218.....
424C	7369	" " " Set Screw.....	12454	7368	Feed Lifting Eccentric Connection Bar Oil Tube with 132590.....
59209	22579	Feed Bar with two each 449C and 882C....	59619	7368	Feed Lifting Eccentric Connection Bar Oil Tube Bracket.....
59621	-----	" " 59209 with 59211 and 59623.....	59620	7368	Feed Lifting Eccentric Connection Bar Oil Tube Bracket 59619 with 12454..
59622	22579	" " Carrier with two 882C and four 449C.....	190J	7336	Feed Lifting Eccentric Connection Bar Oil Tube Bracket Screw.....
59623	-----	Feed Bar Carrier 59622 with 59617 and 59618.....	132590	7368	Feed Lifting Eccentric Connection Bar Oil Tube Oil Pad (wick).....
57234	22579	Feed Bar Carrier Hinge Pin.....	59218	7368	Feed Lifting Eccentric Connection Bar Plug.....
57235	7369	" " " " " Bushing.....	449C	7369	Feed Lifting Eccentric Connection Bar Set Screw.....
457C	7369	" " " " " " Set Screw	42727	7368	Feed Lifting Eccentric Position Pin....
449C	7369	" " " " " " Set Screw....	50150C	7329	" " " Set Screw.....
59211	7369	" " Hinge Pin.....	50328C	7368	" Regulating Screw.....
59617	7369	" " " " " Bushing (left).....	38768	7368	Guide (roller) with 1852.....
882C	7369	" " " " " " Set Screw	1852	7368	" Roller and Screw Stud.....
59618	7369	" " " " " " (right).....	51224W	7368	" Thumb Screw.....
882C	7369	" " " " " " Set Screw	59222	7329	Looper with 590J and 59234.....
882C	7369	" " " " " " Set Screw.....	59381	7329	" Carrier with 50395C.....
59212	7327	" Dog, 16 teeth (12 teeth to the inch)	59224	7329	" " Driver with two 1186E....
Note:		Feed Dog No. 59212 is regularly furnished unless otherwise specified on order.	59435	-----	" " " 59224 with 59226, 59227 and 59381.....
59302	7328	Feed Dog, 10 teeth (12 teeth to the inch)	1186E	7329	Looper Carrier Driver Clamping Screw....
59383	7370	" " 13 teeth (16 teeth to the inch)	207J	7336	" " " Timing Screw.....
59437	7370	" " 29 teeth (22 teeth to the inch)	59225	7329	" " Hole Plug.....
176J	7370	" " Screw.....	59226	7329	" " Shaft.....
*59213	-----	" Eccentric with 130337.....			
*59494	-----	" " Body with 42727.....			
51061C	7369	" " " Set Screw.....			

No.	Plate	Name
59227	7329	Looper Carrier Shaft Crank with 1143E...
1143E	7329	" " " " Clamping Screw
59228	22579	" Cover with two 1802E.....
59229	-----	Looper Cover complete, Nos. 59228,59230 and two 330J.....
1802E	7368	Looper Cover Bushing.....
59230	7368	" " Holder.....
59231	7368	" " " Sleeve with 457C....
457C	7369	" " " " Set Screw....
59232	7368	" " Lock Stud.....
59233	7368	" " " " Spring.....
50300D	7368	" " " " Cap Screw.
330J	7368	" " Screw.....
50395C	7329	" Set Screw.....
59234	7329	" Thread Guard.....
590J	7329	" " " Screw.....
59322	7331	Needle Bar (hollow) with 853C.....
42253	7371	" " Bushing.....
457C	7369	" " " Set Screw.....
59236	7331	" " Connecting Bracket with 175E and 460C.....
175E	7331	Needle Bar Connecting Bracket Clamping Screw.....
59237	7331	Needle Bar Connecting Link.....
40247	7331	" " " " Hinge Pin (lower).....
208F	7331	Needle Bar Connecting Link Hinge Pin (lower) Set Screw.....
40247	7331	Needle Bar Connecting Link Hinge Pin (upper).....
480C	7331	Needle Bar Connecting Link Hinge Pin (upper) Set Screw.....
59238	22577	Needle Bar Lever with 208F,448C and 1036C.....
59380	-----	Needle Bar Lever 59238 with 59236, 59237 and two 40247.....
59803	22577	Needle Bar Lever Connecting Rod with 2089,42367 and two each 141E and 647E.....
59804	-----	Needle Bar Lever Connecting Rod 59803 with 59240 and 59636.....
59240	7329	Needle Bar Lever Connecting Rod Ball Stud.....
1036C	7371	Needle Bar Lever Connecting Rod Ball Stud Set Screw.....
141E	7339	Needle Bar Lever Connecting Rod Cap (lower) Screw.....
647E	7371	Needle Bar Lever Connecting Rod Cap (upper) Screw.....

No.	Plate	Name
59636	7371	Needle Bar Lever Connecting Rod Eccen- tric with 448C, 1299C and two 59608
59608	7371	Needle Bar Lever Connecting Rod Eccen- tric Lubricating Pad (wood).....
1299C	7371	Needle Bar Lever Connecting Rod Eccen- tric Position Screw.....
448C	7369	Needle Bar Lever Connecting Rod Eccen- tric Set Screw.....
42077	7331	Needle Bar Lever Connecting Rod Guide...
187J	7331	" " " " " "
		Screw.....
59245	7331	Needle Bar Lever Connecting Rod Guide Stud.....
59246	7331	Needle Bar Lever Connecting Rod Guide Stud Bracket with 59245.....
193J	7331	Needle Bar Lever Connecting Rod Guide Stud Bracket Screw.....
42367	7371	Needle Bar Lever Connecting Rod Oil Wick (braided cotton).....
2089	7371	Needle Bar Lever Connecting Rod Oil Wick Retaining Pin.....
59247	7331	Needle Bar Lever Hinge Pin.....
59248	7331	" " " " " Bushing (back)
624C	7331	" " " " " " "
		Set Screw.....
59249	7331	Needle Bar Lever Hinge Pin Bushing (front).....
465C	7371	Needle Bar Lever Hinge Pin Bushing (front) Set Screw.....
448C	7369	Needle Bar Lever Hinge Pin Set Screw....
1629C	7331	" Clamping Nut.....
59321	7335	" Guard.....
171F	7335	" " Screw.....
59544	7371	Presser Bar.....
59252	7371	" " Bushing (lower).....
457C	7369	" " " " Set Screw....
42253	7371	" " " (upper).....
457C	7369	" " " " Set Screw....
59253	7371	" " Lifter.....
89F	7371	" " " Hinge Screw.....
51815	7371	" " " Roller and Stud.....
50138E	7371	" " " Stop Screw.....
59505	7371	" " Lifting Bracket with 391E, 1143C,51810,51811 and 51815.....
391E	7371	Presser Bar Lifting Bracket Adjusting Screw.....
59508	7371	Presser Bar Lifting Bracket Guide.....
624C	7331	" " " " " Set Screw
1143C	7329	" " " " " Set Screw...

No.	Plate	Name
59257	7371	Presser Bar Spring.....
59258	7371	" " " Block.....
51810	7371	" " " Roller and Stud.....
59259	7370	" Foot Hinge Pin.....
665J	7370	" " " " Set Screw.....
59260	-----	" " Plate.....
59261	-----	" " Shank with 665J.....
59262	7370	" " Thread Cutter.....
239J	7370	" " " " Screw.....
59263	7370	Presser Foot (hinged) complete for 59212 Nos. 239J and 59259 to 59262.....
Note: Presser Foot No.59263 is regularly furnished unless otherwise specified on order.		
59259	7370	Presser Foot Hinge Pin.....
665J	7370	" " " " Set Screw.....
59384	-----	" " Plate.....
59318	-----	" " Shank with 665J.....
59319	7370	" " Thread Cutter.....
239J	7370	" " " " Screw.....
59385	7370	Presser Foot (hinged) complete, Nos.239J 59259,59318,59319 and 59384.....
59259	7370	Presser Foot Hinge Pin.....
665J	7370	" " " " Set Screw.....
59317	-----	" " Plate.....
59318	-----	" " Shank with 665J.....
59319	7370	" " Thread Cutter.....
239J	7370	" " " " Screw.....
59320	7370	Presser Foot (hinged) complete for 59302 Nos. 239J,59259 and 59317 to 59319.
59303	7370	Presser Foot with 234J and 59304, for 59302.....
59304	7370	Presser Foot Thread Cutter.....
234J	7370	" " " " Screw.....
185H	7370	" " Screw.....
1317J	7371	Pressure Regulating Thumb Screw.....
1547J	7371	" " " " Lock Nut
59264	7331	Slack Thread Controller.....
95C	7331	" " " Hinge Screw.....
59265	7331	" " " Link.....
87C	7331	" " " Hinge Screw..
59266	7372	" " Regulator.....
59267	7372	" " " Holder with 465C.
59268	7372	" " " Crank with two 465C.....
51811	7372	Slack Thread Regulator Holder Crank Roller and Stud.....
465C	7371	Slack Thread Regulator Holder Crank Set Screw.....
465C	7371	Slack Thread Regulator Set Screw.....
59269	7335	Tension (under thread) Bracket.....

No.	Plate	Name
38670	7335	Tension (under thread) Bracket Steady Pin.....
55810	7372	Tension (under thread) Disc.....
51570C	7372	" " " Regulating Thumb Nut.....
32572	7372	Tension (under thread) Releasing Disc..
50326C	7372	" " " Screw Stud.....
59539	-----	" " " " " 50326C with 51570C.....
59534	7372	Tension (under thread) Spring.....
59537	7372	" " " " Bushing (large).....
59538	7372	Tension (under thread) Spring Bushing (small).....
55810	7372	Tension (upper thread) Disc.....
51570C	7372	" " " Regulating Thumb Nut.....
50326C	7372	Tension (upper thread) Screw Stud.....
59539	-----	" " " " " 50326C with 51570C.....
1547J	7371	Tension (upper thread) Screw Stud Nut...
59536	7372	" " " Spring.....
59537	7372	" " " " Bushing (large).....
59538	7372	Tension (upper thread) Spring Bushing (small).....
59270	7335	Thread (under) Eyelet.....
1423D	7335	" " " Screw.....
59271	7335	" " Nipper Bracket with 9547 and 59301.....
452C	7335	Thread (under) Nipper Bracket Set Screw.
59301	7335	" " " Stud.....
59272	7335	" " " Guide Plate.....
59273	7335	" " " Releasing Bracket.
176J	7370	" " " " Screw.....
59274	7335	Thread (under) Nipper Releasing Stud....
59275	7335	" " " Spring.....
1423D	7335	" " " Screw.....
9547	7335	" " " Steady Pin.
59276	7336	" " Protector.....
240F	7336	" " " Set Screw.....
59277	7336	" " Take-up (left).....
59278	7336	" " " (right).....
190J	7338	" " " Screw.....
59280	7338	" " " Staple.....
59281	7336	" " " " Holder with 904C.....
59282	7336	Thread (under) Take-up Staple Holder Collar with 460C.....

No.	Plate	Name
460C	7331	Thread (under) Take-up Staple Holder Collar Set Screw.....
59283	7336	Thread (under) Take-up Staple Holder Collar Spring.....
236F	7336	Thread (under) Take-up Staple Holder Collar Spring Screw.....
904C	7336	Thread (under) Take-up Staple Set Screw.
59284	7336	" " " Stripper.....
59285	7336	" " " " Bracket with 240F.....
596D	7336	Thread (under) Take-up Stripper Bracket Screw.....
207F	7336	Thread (under) Take-up Stripper Screw...
59286	7336	" (upper) Eyelet (front of arm)....
462C	7336	" " " " " " Set Screw.....
59287	7336	Thread (upper) Eyelet (side of arm)....
50014C	7336	" " " " " " Set Screw.....
59288	7336	Thread (upper) Guard.....
1423D	7335	" " " Screw.....
59289	7331	" " Take-up.....
853C	7331	" " " Set Screw.....
59290	7327	Throat Plate for 59212 and 59437.....
Note: Throat Plate No.59290 is regularly furnished unless otherwise specified on order.		
59305	7328	Throat Plate for 59302.....
59291	7372	" " Packing (left) with 59292..
59292	7336	" " " " Position Stud
1149C	7369	" " " " Screw.....
59293	7372	" " " (right).....
1149C	7369	" " " " Screw.....
1011F	7372	" " " Screw.....
59294	7372	" " Steady Pin.....
•15404	-----	Trade Mark.....
15405	-----	" " Rivet.....

LIST OF PARTS COMPLETE  
FOR  
MACHINE No. 105-2

For Stitching Harvesters' Gloves. One needle, one looper; flat work plate and throat plate. Makes seven to twelve stitches to the inch. Speed 3500 R. P. M.

No.	Plate	Name
•59201	-----	Arm, upper and lower (solid) with 15404 and two 15405.....
59491	22579	Arm Rotary Shaft.....
•59609	7369	" " " Bushing (back).....
59610	-----	" " " " " 59609 with 52045 and 59611.....
59611	7369	Arm Rotary Shaft Bushing (back) Oil Wick (braided cotton).....
52045	7369	Arm Rotary Shaft Bushing (back) Packing (wick).....
50554C	7369	Arm Rotary Shaft Bushing (back) Set Screw.....
59524	7369	Arm Rotary Shaft Bushing (front) with 52045.....
52045	7369	Arm Rotary Shaft Bushing (front) Packing (wick).....
448C	7369	Arm Rotary Shaft Bushing (front) Set Screw.....
•59612	7369	Arm Rotary Shaft Bushing (intermediate).
59613	-----	" " " " " " 59612 with 52045 and 128571.....
128571	7369	Arm Rotary Shaft Bushing (intermediate) Oil Wick (braided cotton).....
52045	7369	Arm Rotary Shaft Bushing (intermediate) Packing (wick).....
50554C	7369	Arm Rotary Shaft Bushing (intermediate) Set Screw.....
•59628	22579	Arm Side Cover.....
59629	22579	" " " 59628 with 59630, 59631 and 132555.....
•59630	22579	Arm Side Cover Oil Tube, for oiling Needle Bar Lever Connecting Rod....
59631	7369	Arm Side Cover Oil Tube Oil Cup.....

Product of the Libby-Diamond Needle Corp



No.	Plate	Name
132555	22579	Arm Side Cover Oil Tube Oil Wick (braided cotton).....
1423J	7335	Arm Side Cover Screw.....
59208	22579	Balance Wheel, 2 3/16 in. pulley with 424C and 1354C.....
1354C	7369	Balance Wheel Position Screw.....
424C	7369	" " Set Screw.....
59306	7337	Cloth Plate with 59292,66629 and 66630..
66629	7369	" " Oil Tube, for oiling Feed Eccentric Connection Bar.....
66630	7369	Cloth Plate Oil Tube, for oiling Feed Lifting Eccentric.....
59307	22578	Cloth Plate Slide (left).....
59308	22578	" " " (right).....
59292	7336	" " Steady Pin.....
59309	-----	Cloth Plate complete, Nos.59306 to 59308
1149C	7369	" " Screw.....
59209	22579	Feed Bar with two each 449C and 882C....
59621	-----	" " 59209 with 59211 and 59623....
59622	22579	" " Carrier with two 882C and four 449C.....
59623	-----	Feed Bar Carrier 59622 with 59617 and 59618.....
57234	22579	Feed Bar Carrier Hinge Pin.....
57235	7369	" " " " " Bushing.....
457C	7369	" " " " " " Set Screw.....
449C	7369	Feed Bar Carrier Hinge Pin Set Screw....
59211	7369	" " Hinge Pin.....
59617	7369	" " " " Bushing (left).....
882C	7369	" " " " " Set Screw
59618	7369	" " " " " (right).....
882C	7369	" " " " " " Set Screw.....
882C	7369	Feed Bar Hinge Pin Set Screw.....
59212	7327	" Dog,16 teeth (12 teeth to the inch)

Note: Feed Dog No. 59212 is regularly furnished unless otherwise specified on order.

59302	7328	Feed Dog,10 teeth (12 teeth to the inch)
59437	7370	" " 29 teeth (22 teeth to the inch)
59489	7370	" " 24 teeth (18 teeth to the inch)
176J	7370	" " Screw.....
*59213	-----	" Eccentric with 130337.....
*59494	-----	" " Body with 42727.....
51061C	7369	" " " Set Screw.....
7071	7368	" " Clamping Washer.....
217E	7368	" " " Screw....
130337	7368	" " Lubricating Oil Pad (wood)

No.	Plate	Name
59495	7369	Feed Eccentric (adjustable) complete, Nos. 217E,7071,50328C,59213,59494 and two 51061C.....
59517	-----	Feed Eccentric 59495 with 59218.....
59218	7368	" " Connection with 12002 and 139110.....
59217	7368	Feed Eccentric Connection Bar with 59218
59218	7368	" " " " Plug.....
449C	7369	" " " " Set Screw.
139110	7368	" " " Oil Wick (braided cotton).....
12002	7368	Feed Eccentric Connection Oil Wick Retaining Pin.....
59513	7368	Feed Lifting Eccentric with two 50150C..
59514	-----	" " " 59513 with 59220.
59220	7329	" " " Connection.....
59221	7329	" " " " Bar with 59218.....
12454	7368	Feed Lifting Eccentric Connection Bar Oil Tube with 132590.....
59619	7368	Feed Lifting Eccentric Connection Bar Oil Tube Bracket.....
59620	7368	Feed Lifting Eccentric Connection Bar Oil Tube Bracket 59619 with 12454..
190J	7336	Feed Lifting Eccentric Connection Bar Oil Tube Bracket Screw.....
132590	7368	Feed Lifting Eccentric Connection Bar Oil Tube Pad (wick).....
5921E	7368	Feed Lifting Eccentric Connection Bar Plug.....
449C	7369	Feed Lifting Eccentric Connection Bar Set Screw.....
42727	7368	Feed Lifting Eccentric Position Pin....
50150C	7329	" " " Set Screw.....
50328C	7368	" Regulating Screw.....
59222	7329	Looper with 590J and 59234.....
59381	7329	" Carrier with 50395C.....
59224	7329	" " Driver with two 1186E....
59435	-----	" " " 59224 with 59226, 59227 and 59381.....
1186E	7329	Looper Carrier Driver Clamping Screw....
207J	7336	" " " Timing Screw.....
59225	7329	" " Hole Plug.....
59226	7329	" " Shaft.....
59227	7329	" " Crank with 1143E...
1143E	7329	" " " Clamping Screw
50395C	7329	" Set Screw.....
59234	7329	" Thread Guard.....
590J	7329	" " " Screw.....

No.	Plate	Name
59322	7331	Needle Bar (hollow) with 853C.....
42253	7371	" " Bushing.....
457C	7369	" " " Set Screw.....
59236	7331	" " Connecting Bracket with 175E and 460C.....
175E	7331	Needle Bar Connecting Bracket Clamping Screw.....
59237	7331	Needle Bar Connecting Link.....
40247	7331	" " " " Hinge Pin (lower).....
208F	7331	Needle Bar Connecting Link Hinge Pin (lower) Set Screw.....
40247	7331	Needle Bar Connecting Link Hinge Pin (upper).....
460C	7331	Needle Bar Connecting Link Hinge Pin (upper) Set Screw.....
59238	22577	Needle Bar Lever with 208F,448C and 1036C.....
59380	-----	Needle Bar Lever 59238 with 59236, 59237 and two 40247.....
59603	22577	Needle Bar Lever Connecting Rod with 2089,42367 and two each 141E and 647E.....
59604	-----	Needle Bar Lever Connecting Rod 59603 with 59240 and 59636.....
59240	7329	Needle Bar Lever Connecting Rod Ball Stud.....
1036C	7371	Needle Bar Lever Connecting Rod Ball Stud Set Screw.....
141E	7339	Needle Bar Lever Connecting Rod Cap (lower) Screw.....
647E	7371	Needle Bar Lever Connecting Rod Cap (upper) Screw.....
59636	7371	Needle Bar Lever Connecting Rod Eccen- tric with 448C,1299C and two 59606.
59606	7371	Needle Bar Lever Connecting Rod Eccen- tric Lubricating Pad (wood).....
1299C	7371	Needle Bar Lever Connecting Rod Eccen- tric Position Screw.....
448C	7369	Needle Bar Lever Connecting Rod Eccen- tric Set Screw.....
42077	7331	Needle Bar Lever Connecting Rod Guide...
187J	7331	" " " " " " " Screw
59245	7331	" " " " " " " Stud
59246	7331	" " " " " " " "
193J	7331	Needle Bar Lever Connecting Rod Guide Stud Bracket Screw.....
42367	7371	Needle Bar Lever Connecting Rod Oil Wick (braided cotton).....

No.	Plate	Name
2089	7371	Needle Bar Lever Connecting Rod Oil Wick Retaining Pin.....
59247	7331	Needle Bar Lever Hinge Pin.....
59248	7331	" " " " " " Bushing (back)
624C	7331	" " " " " " " "
59249	7331	Needle Bar Lever Hinge Pin Bushing (front).....
465C	7371	Needle Bar Lever Hinge Pin Bushing (front) Set Screw.....
448C	7369	Needle Bar Lever Hinge Pin Set Screw....
1629C	7331	" Clamping Nut.....
59321	7335	" Guard.....
171F	7335	" " Screw.....
59544	7371	Presser Bar.....
59252	7371	" " Bushing (lower).....
457C	7369	" " " " Set Screw....
42253	7371	" " " (upper).....
457C	7369	" " " " Set Screw....
59253	7371	" " Lifter.....
89F	7371	" " " Hinge Screw.....
51815	7371	" " " Roller and Stud.....
50138E	7371	" " " Stop Screw.....
59505	7371	" " Lifting Bracket with 391E, 1143C,51810,51811 and 51815.....
391E	7371	Presser Bar Lifting Bracket Adjusting Screw.....
59506	7371	Presser Bar Lifting Bracket Guide.....
624C	7331	" " " " " Set Screw
1143C	7329	" " " " " Set Screw...
59257	7371	" " Spring.....
59258	7371	" " " Block.....
51810	7371	" " " Roller and Stud.....
59259	7370	" Foot Hinge Pin.....
665J	7370	" " " " Set Screw.....
59260	-----	" " Plate.....
59261	-----	" " Shank with 665J.....
59262	7370	" " Thread Cutter.....
239J	7370	" " " " Screw.....
59263	7370	Presser Foot (hinged) complete for 59212 Nos. 239J and 59259 to 59262.....
Note: Presser Foot No.59263 is regularly furnished unless otherwise specified on order.		
59259	7370	Presser Foot Hinge Pin.....
665J	7370	" " " " Set Screw.....
59317	-----	" " Plate.....
59318	-----	" " Shank with 665J.....
59319	7370	" " Thread Cutter.....
239J	7370	" " " " Screw.....

No.	Plate	Name
59320	7370	Presser Foot (hinged) complete for 59302 Nos. 239J, 59259 and 59317 to 59319.
185H	7370	Presser Foot Screw.....
1317J	7371	Pressure Regulating Thumb Screw.....
1547J	7371	" " " " Lock Nut.
59264	7331	Slack Thread Controller.....
95C	7331	" " " Hinge Screw.....
59265	7331	" " " Link.....
87C	7331	" " " Hinge Screw.
59266	7372	" " Regulator.....
59267	7372	" " " Holder with 465C.
59268	7372	" " " " Crank with two 465C.....
51811	7372	Slack Thread Regulator Holder Crank Roller and Stud.....
465C	7371	Slack Thread Regulator Holder Crank Set Screw.....
485C	7371	Slack Thread Regulator Set Screw.....
59269	7335	Tension (under thread) Bracket.....
36670	7335	" " " " Steady Pin
55810	7372	" " " Disc.....
51570C	7372	" " " Regulating Thumb Nut.....
32572	7372	Tension (under thread) Releasing Disc...
50326C	7372	" " " Screw Stud.....
59539	-----	" " " " " 50326C with 51570C.....
59534	7372	Tension (under thread) Spring.....
59537	7372	" " " " Bushing (large).....
59538	7372	Tension (under thread) Spring Bushing (small).....
55810	7372	Tension (upper thread) Disc.....
51570C	7372	" " " Regulating Thumb Nut.....
50326C	7372	Tension (upper thread) Screw Stud.....
59539	-----	" " " " " 50326C with 51570C.....
1547J	7371	Tension (upper thread) Screw Stud Nut...
59536	7372	" " " Spring.....
59537	7372	" " " " Bushing (large).....
59538	7372	Tension (upper thread) Spring Bushing (small).....
59270	7335	Thread (under) Eyelet.....
1423D	7335	" " " Screw.....
59271	7335	" " Nipper Bracket with 9547 and 59301.....
452C	7335	Thread (under) Nipper Bracket Set Screw.

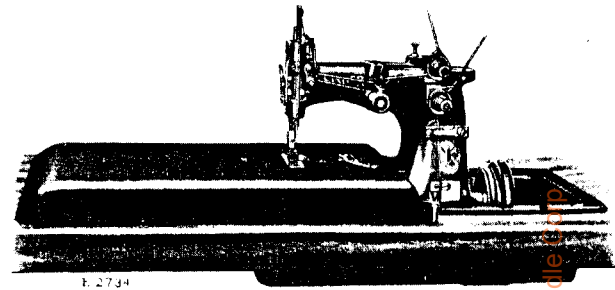
No.	Plate	Name
59301	7335	Thread (under) Nipper Bracket Stud.....
59272	7335	" " " Guide Plate.....
59273	7335	" " " Releasing Bracket.
176J	7370	" " " " " " "
		Screw.....
59274	7335	Thread (under) Nipper Releasing Stud....
59275	7335	" " " Spring.....
1423D	7335	" " " " Screw.....
9547	7335	" " " " Steady Pin.
59278	7336	" " Protector.....
240F	7336	" " " Set Screw.....
59277	7336	" " Take-up (left).....
59278	7336	" " " (right).....
190J	7336	" " " Screw.....
59280	7336	" " " Staple.....
59281	7336	" " " " Holder with 904C.....
59282	7336	Thread (under) Take-up Staple Holder Collar with 460C.....
460C	7331	Thread (under) Take-up Staple Holder Collar Set Screw.....
59283	7336	Thread (under) Take-up Staple Holder Collar Spring.....
236F	7336	Thread (under) Take-up Staple Holder Collar Spring Screw.....
904C	7336	Thread (under) Take-up Staple Set Screw.
59284	7336	" " " Stripper.....
59285	7336	" " " " Bracket with 240F.....
596D	7336	Thread (under) Take-up Stripper Bracket Screw.....
207F	7336	Thread (under) Take-up Stripper Screw...
59286	7336	" (upper) Eyelet (front of arm)....
462C	7336	" " " " " " Set Screw.....
59287	7336	Thread (upper) Eyelet (side of arm)....
50014C	7336	" " " " " " Set Screw.....
59288	7336	Thread (upper) Guard.....
1423D	7335	" " " Screw.....
59289	7331	" " Take-up.....
853C	7331	" " " Set Screw.....
59310	22578	Throat Plate for 59212 and 59437.....
		Note: Throat Plate No. 59310 is regularly furnished unless otherwise specified on order.
59490	22578	Throat Plate for 59489.....
59311	22578	" " " (large needle hole) for 59302.....

No.	Plate	Name
59312	22578	Throat Plate (small needle hole) for 59302.....
691F	22578	Throat Plate Screw.....
*15404	-----	Trade Mark.....
15405	-----	" " Rivet.....

SINGER Needles should be used in SINGER Machines. These Needles and their Containers are marked with the Company's Trade Mark "SIMANCO.\*\*\*" 1

Needles in Containers marked "FOR SINGER MACHINES" are NOT **SINGER** made needles. 2

LIST OF PARTS COMPLETE FOR



MACHINE No. 105-3

For Stitching Harvesters' Gloves. One needle, one looper; flat work plate with hinged extension which gives a working surface 14 inches long and 10 inches wide. The extension is hinged so that it can be raised for easy access to the working parts of the machine. The right hand slide is fitted with a work guide and a spring lock to lock the slide in position. The regular equipment of the machine includes the cloth plate extension, machine base and transmitter plate. Makes five to twelve stitches to the inch. Speed 3500 R. P. M.

No.	Plate	Name
*59201	-----	Arm, upper and lower (solid) with 15404 and two 15405.....
59491	22579	Arm Rotary Shaft.....
*59609	7369	" " " Bushing (back).....
59610	-----	" " " " " 59609 with 52045 and 59611.....

Library of: Diamond Needle Corp



No.	Plate	Name
7071	7368	Feed Eccentric Clamping Washer.....
217E	7368	" " " " Screw....
30337	7368	" " Lubricating Oil Pad (wood)
59495	7369	Feed Eccentric (adjustable) complete, Nos. 217E, 7071, 50328C, 59213, 59494 and two 51061C.....
59517	-----	Feed Eccentric 59495 with 59216.....
59216	7368	" " Connection with 12002 and 139110.....
59217	7368	Feed Eccentric Connection Bar with 59218
59218	7368	" " " " Plug.....
449C	7369	" " " " Set Screw.
139110	7368	" " " Oil Wick (braided cotton).....
12002	7368	Feed Eccentric Connection Oil Wick Re- taining Pin.....
59513	7368	Feed Lifting Eccentric with two 50150C..
59514	-----	" " " 59513 and 59220..
59220	7329	" " " Connection.....
59221	7329	" " " " Bar with 59218.....
12454	7368	Feed Lifting Eccentric Connection Bar Oil Tube with 132590.....
59619	7368	Feed Lifting Eccentric Connection Bar Oil Tube Bracket.....
59620	7368	Feed Lifting Eccentric Connection Bar Oil Tube Bracket 59619 with 12454..
190J	7336	Feed Lifting Eccentric Connection Bar Oil Tube Bracket Screw.....
132590	7368	Feed Lifting Eccentric Connection Bar Oil Tube Oil Pad (wick).....
59218	7368	Feed Lifting Eccentric Connection Bar Plug.....
449C	7369	Feed Lifting Eccentric Connection Bar Set Screw.....
42727	7368	Feed Lifting Eccentric Position Pin....
50150C	7329	" " " Set Screw.....
50328C	7368	" Regulating Screw.....
59333	7339	Guide.....
1443B	7339	" Screw.....
59222	7329	Looper with 590J and 59234.....
59381	7329	" Carrier with 50395C.....
59224	7329	" " Driver with two 1186E....
59435	-----	" " " 59224 with 59226, 59227 and 59381.....
1186E	7329	Looper Carrier Driver Clamping Screw....
207J	7336	" " " Timing Screw.....
59225	7329	" " Hole Plug.....
59226	7329	" " Shaft.....
59227	7329	" " " Crank with 1143E....

No.	Plate	Name
1143E	7329	Looper Carrier Shaft Crank Clamping Screw.....
50395C	7329	Looper Set Screw.....
59234	7329	" Thread Guard.....
590J	7329	" " " Screw.....
59322	7331	Needle Bar (hollow) with 853C.....
42253	7371	" " Bushing.....
457C	7369	" " " Set Screw.....
59236	7331	" " Connecting Bracket with 175E and 460C.....
175E	7331	Needle Bar Connecting Bracket Clamping Screw.....
59237	7331	Needle Bar Connecting Link.....
40247	7331	" " " " Hinge Pin (lower).....
208F	7331	Needle Bar Connecting Link Hinge Pin (lower) Set Screw.....
40247	7331	Needle Bar Connecting Link Hinge Pin (upper).....
460C	7331	Needle Bar Connecting Link Hinge Pin (upper) Set Screw.....
59238	22577	Needle Bar Lever with 208F, 448C and 1036C.....
59380	-----	Needle Bar Lever 59238 with 59236, 59237 and two 40247.....
59603	22577	Needle Bar Lever Connecting Rod with 2089, 42387 and two each 141E and 647E.....
59604	-----	Needle Bar Lever Connecting Rod 59603 with 59240 and 59836.....
59240	7329	Needle Bar Lever Connecting Rod Ball Stud.....
1036C	7371	Needle Bar Lever Connecting Rod Ball Stud Set Screw.....
141E	7339	Needle Bar Lever Connecting Rod Cap (lower) Screw.....
647E	7371	Needle Bar Lever Connecting Rod Cap (upper) Screw.....
59836	7371	Needle Bar Lever Connecting Rod Eccen- tric with 448C, 1299C and two 59808
59808	7371	Needle Bar Lever Connecting Rod Eccen- tric Lubricating Pad (wood).....
1299C	7371	Needle Bar Lever Connecting Rod Eccen- tric Position Screw.....
448C	7369	Needle Bar Lever Connecting Rod Eccen- tric Set Screw.....
42077	7331	Needle Bar Lever Connecting Rod Guide...
187J	7331	" " " " " " Screw
59245	7331	" " " " " " Stud

No.	Plate	Name
59246	7331	Needle Bar Lever Connecting Rod Guide Stud Bracket with 59245.....
193J	7331	Needle Bar Lever Connecting Rod Guide Stud Bracket Screw.....
42367	7371	Needle Bar Lever Connecting Rod Oil Wick
3089	7371	" " " " " " " " Retaining Pin.....
59247	7331	Needle Bar Lever Hinge Pin.....
59248	7331	" " " " " Bushing (back)
624C	7331	" " " " " " " " Set Screw.....
59249	7331	Needle Bar Lever Hinge Pin Bushing (front).....
465C	7371	Needle Bar Lever Hinge Pin Bushing (front) Set Screw.....
448C	7369	Needle Bar Lever Hinge Pin Set Screw....
1629C	7331	" Clamping Nut.....
59321	7335	" Guard.....
171F	7335	" " Screw.....
59544	7371	Presser Bar.....
59252	7371	" " Bushing (lower).....
457C	7369	" " " " Set Screw....
42253	7371	" " " (upper).....
457C	7369	" " " " Set Screw....
59253	7371	" " Lifter.....
89F	7371	" " " Hinge Screw.....
51815	7371	" " " Roller and Stud.....
50138E	7371	" " " Stop Screw.....
59505	7371	" " Lifting Bracket with 391E, 1143C, 51810, 51811 and 51815.....
391E	7371	Presser Bar Lifting Bracket Adjusting Screw.....
59506	7371	Presser Bar Lifting Bracket Guide.....
624C	7331	" " " " " " Set Screw.....
1143C	7329	Presser Bar Lifting Bracket Set Screw....
59257	7371	" " Spring.....
59258	7371	" " " Block.....
51810	7371	" " " Roller and Stud.....
59259	7370	" Foot Hinge Pin.....
665J	7370	" " " " Set Screw.....
59317	-----	" " Plate.....
59318	-----	" " Shank with 665J.....
59319	7370	" " Thread Cutter.....
239J	7370	" " " " Screw.....
59320	7370	Presser Foot (hinged) complete, Nos. 239J 59259 and 59317 to 59319.....
185H	7370	Presser Foot Screw.....
1317J	7371	Pressure Regulating Thumb Screw.....

No.	Plate	Name
1547J	7371	Pressure Regulating Thumb Screw Lock Nut
59264	7331	Slack Thread Controller.....
95C	7331	" " " Hinge Screw.....
59265	7331	" " " Link.....
87C	7331	" " " " Hinge Screw..
59266	7372	" " " Regulator.....
59267	7372	" " " " Holder with 465C..
59268	7372	" " " " Crank with two 465C.....
51811	7372	Slack Thread Regulator Holder Crank Roller and Stud.....
465C	7371	Slack Thread Regulator Holder Crank Set Screw.....
465C	7371	Slack Thread Regulator Set Screw.....
59269	7335	Tension (under thread) Bracket.....
38670	7335	" " " " Steady Pin
55810	7372	" " " Disc.....
51570C	7372	" " " Regulating Thumb Nut.....
32572	7372	Tension (under thread) Releasing Disc...
50326C	7372	" " " Screw Stud.....
59539	-----	" " " " 50326C with 51570C.....
59534	7372	Tension (under thread) Spring.....
59537	7372	" " " " Bushing (large).....
59538	7372	Tension (under thread) Spring Bushing (small).....
55810	7372	Tension (upper thread) Disc.....
51570C	7372	" " " Regulating Thumb Nut.....
50326C	7372	Tension (upper thread) Screw Stud.....
59539	-----	" " " " 50326C with 51570C.....
1547J	7371	Tension (upper thread) Screw Stud Nut...
59536	7372	" " " Spring.....
59537	7372	" " " " Bushing (large).....
59538	7372	Tension (upper thread) Spring Bushing (small).....
59270	7335	Thread (under) Eyelet.....
1423D	7335	" " " Screw.....
59271	7335	" " Nipper Bracket with 9547 and 59301.....
452C	7335	Thread (under) Nipper Bracket Set Screw.
59301	7335	" " " " Stud.....
59272	7335	" " " Guide Plate.....
59273	7335	" " " Releasing Bracket.
176J	7370	" " " " " " Screw.....

From the Gray All Diamond Media Corp

No.	Plate	Name
59274	7335	Thread (under) Nipper Releasing Stud....
59275	7335	" " " Spring.....
1423D	7335	" " " Screw.....
9547	7335	" " " Steady Pin.
59276	7336	" " Protector.....
240F	7336	" " Set Screw.....
59277	7336	" " Take-up (left).....
59278	7336	" " (right).....
190J	7336	" " Screw.....
59280	7336	" " Staple.....
59281	7336	" " " Holder with 904C.....
59282	7336	Thread (under) Take-up Staple Holder Collar with 460C.....
460C	7331	Thread (under) Take-up Staple Holder Collar Set Screw.....
59283	7336	Thread (under) Take-up Staple Holder Collar Spring.....
236F	7336	Thread (under) Take-up Staple Holder Collar Spring Screw.....
904C	7336	Thread (under) Take-up Staple Set Screw.
59284	7336	" " " Stripper.....
59285	7336	" " " Bracket with 240F.....
596D	7336	Thread (under) Take-up Stripper Bracket Screw.....
207F	7336	Thread (under) Take-up Stripper Screw...
59286	7336	" (upper) Eyelet (front of arm)....
462C	7336	" " " " " " Set Screw.....
59287	7336	Thread (upper) Eyelet (side of arm)....
50014C	7336	" " " " " " Set Screw.....
59288	7336	Thread (upper) Guard.....
1423D	7335	" " " Screw.....
59289	7331	" " Take-up.....
853C	7331	" " Set Screw.....
59311	22576	Throat Plate, large needle hole, for 59302.....

Note: Throat Plate No. 59311 is regularly furnished unless otherwise specified on order.

59312	22576	Throat Plate, small needle hole, for 59302.....
691F	22576	Throat Plate Screw.....
*15404	-----	Trade Mark.....
15405	-----	" " Rivet.....

## MACHINE BASE

No.	Plate	Name
59295	7342	Machine Base with 100D, 36006, 59296 and four each 840E, 59297 and wood screws 1 1/2 in. No. 14, for 105-1 and 105-2 Machines.....
59334	7342	Machine Base with seven wood screws 1 in. No. 9, for 105-3 Machine.....
59296	22579	Machine Base Cover, for 59295.....
36006	7373	" " " Friction Washer, for 59295.....
100D	7373	Machine Base Cover Hinge Screw, for 59295
840E	7373	" " Screw, for 59295.....
59297	7373	" Cushion (felt).....

## ACCESSORIES

No.	Plate	Name
51077E	7373	Machine Bolt with 51581E, to secure ma- chine to table.....
51581E	7373	Machine Bolt Nut.....
120342	22578	Oiler (copper plated) with 120343.....
120343	22578	" Spout, 3 1/2 in. long.....
26026	22578	Screw Driver (machine).....
26485	22578	" " (shuttle tension).....
25539	22578	Stiletto.....
120341	22578	Tweezers (curved).....
4822	22578	Wrench, for 1547.....
22003	22578	" " 1575.....
19079	22578	" " 1629.....

## FOOT LIFTER PARTS

No.	Plate	Name
13351	-----	Chain, 46 in. to 55 in. long, with 56864 and 56865.....

Note: When ordering No. 13351, state length re-  
quired.

4879	7373	Chain Connecting Link.....
56864	7373	" Hook (large).....
56865	7373	" " (small).....
4881	22580	Treadle.....
4882	7373	" Shaft.....



No.	Plate	Name
4883	7373	Treadle Spring.....
4884	22580	" Stand.....
4885	22580	Treadle complete, Nos. 4879, 4881 to 4884 and two wood screws 1 in. No. 16...

## KNEE LIFTER PARTS

FOR MACHINES Nos. 105-1 and 105-2

No.	Plate	Name
32040	-----	Chain, 12 3/4 in. long, with 56884 and 56885.....
56864	7373	Chain Hook (large).....
56865	7373	" " (small).....
59509	22577	Lifting Lever.....
	21D 7374	" " Hinge Screw.....
59510	7374	" " Spring.....
59511	7374	" " Stop.....
	219J 7374	" " " Screw.....
7124	22580	Rock Shaft.....
2764	22580	" " Hanger (back) with two wood screws 1 in. No. 10.....
16128	22580	Rock Shaft Hanger (front) with two wood screws 1 in. No. 10.....
16646	22580	Rock Shaft Knee Arm.....
16647	22580	Rock Shaft Knee Arm complete, Nos. 2766, 2767 and 16646.....
	2766 22580	Rock Shaft Knee Arm Hub with 356C.....
	356C 7374	" " " " " Set Screw.....
	2767 22580	" " " " Plate with 356C.....
	356C 7374	" " " " " Set Screw.....
	6337 22580	" " " " Lifting Bracket with two 356C
	6338 22580	" " " " " Hook.....
	356C 7374	" " " " " Set Screw.....
	356C 7374	" " " " " Set Screw....
32134	22580	" " Spring.....
2770	22580	" " " Adjusting Dog with 356C
	356C 7374	" " " " " Set Screw.....
	2770 22580	" " Stop Dog with 356C.....
	356C 7374	" " " " " Set Screw.....
32135	22580	Rock Shaft complete, Nos. 2764, 6337, 6338 7124, 16128, 16647, 32134 and three 2770.....
59512	-----	Knee Lifter complete (power table) Nos. 21D, 219J, 32040, 32135 and 59509 to 59511.....

## KNEE LIFTER PARTS

FOR MACHINE No. 105-3

No.	Plate	Name
59324	-----	Chain, 8 in. long, with 56865.....
56865	7373	" Hook (small).....
59509	22577	Lifting Lever.....
	21D 7374	" " Hinge Screw.....
59510	7374	" " Spring.....
59511	7374	" " Stop.....
	219J 7374	" " " Screw.....
33877	22580	Rock Shaft.....
	2765 22580	" " Knee Arm.....
	2766 22580	" " " " Hub with 356C.....
	356C 7374	" " " " " Set Screw.....
	2768 22580	" " " " 2765 with 2766 and 2767.....
	2767 22580	Rock Shaft Knee Plate with 356C.....
	356C 7374	" " " " " Set Screw.....
59335	22580	" " Lifting Bracket with 356C and 50371C.....
	6338 22580	Rock Shaft Lifting Bracket Hook.....
	50371C 7374	" " " " " Set Screw
	356C 7374	" " " " " Set Screw....
59336	22580	Rock Shaft complete, Nos. 2768, 6338, 33877 and 59335.....
59527	-----	Knee Lifter complete (power table) Nos. 21D, 219J, 59324, 59336 and 59509 to 59511.....

## THREAD UNWINDER

(FOR TWO SPOOLS)

No.	Plate	Name
225257	20335	Spool Rest with 201018C.....
150203	20335	" " Cushion (felt).....
225388	20335	" " Rod.....
200383C	7374	" " " Set Screw.....
201018C	7374	" " " Set Screw.....
202490	20335	" Stand with 200383C.....
225391	20335	Thread Guide.....
201696J	7374	" " Lock Nut.....
225326	7374	" " Position Cup.....
225324	20335	" " Rod with 208E and 225322...
	208E 7331	" " " Screw.....
225322	7374	" " " Washer.....

No.	Plate	Name
225258	20335	Thread Unwinder complete, Nos. 201696J, 202490, 225257, 225324, 22532E, 225388, two each 150203, 225391 and three wood screws 7/8 in. No. 12.....
27739	22577	Thread Cone (wood) for large cones.....
225390	22577	" " Holder, for inverted cones..

Note: Nos. 27739 and 225390 are used with, but not included in 225258.

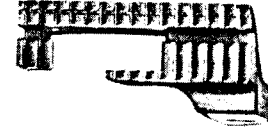
## OBSOLETE PARTS

No.	Plate	Name
59202	22577	Arm Rotary Shaft.....
59203	7374	" " Bushing (back) 59388 with two 59206.....
1285C	7374	Arm Rotary Shaft Bushing (back) Set Screw, use 50554C.....
59204	7374	Arm Rotary Shaft Bushing (front) use 59524.....
59525	7374	Arm Rotary Shaft Bushing (intermediate) with 52045, use 59613.....
59205	7374	Arm Rotary Shaft Bushing (intermediate) 59382 with 59206.....
1285C	7374	Arm Rotary Shaft Bushing (intermediate) Set Screw, use 50554C.....
59206	7374	Arm Rotary Shaft Lubricating Ring, for 59203 and 59205.....
59207	22579	Arm Side Cover, obsolete superseded by 59629 not interchangeable.....
59440	-----	Feed Bar 59209 with 59210 and 59211, use 59621.....
59210	22577	Feed Bar Carrier with two each 449C and 458C, use 59623.....
458C	7374	Feed Bar Carrier Hinge Pin Set Screw, use 449C.....
449C	7369	Feed Bar Hinge Pin Bushing (left) Set Screw, use 882C.....
449C	7369	Feed Bar Hinge Pin Bushing (right) Set Screw, use 882C.....
*59214	----	Feed Eccentric Body.....
21331	7374	" " Pressure Spring.....
59215	7374	Feed Eccentric (adjustable) complete, Nos. 217E, 7071, 50328C, 59213, 59214 and two 51061C, use 59495.....
59219	7329	Feed Lifting Eccentric with two 50150C, use 59513.....
458C	7374	Feed Lifting Eccentric Connection Bar Set Screw, use 449C.....

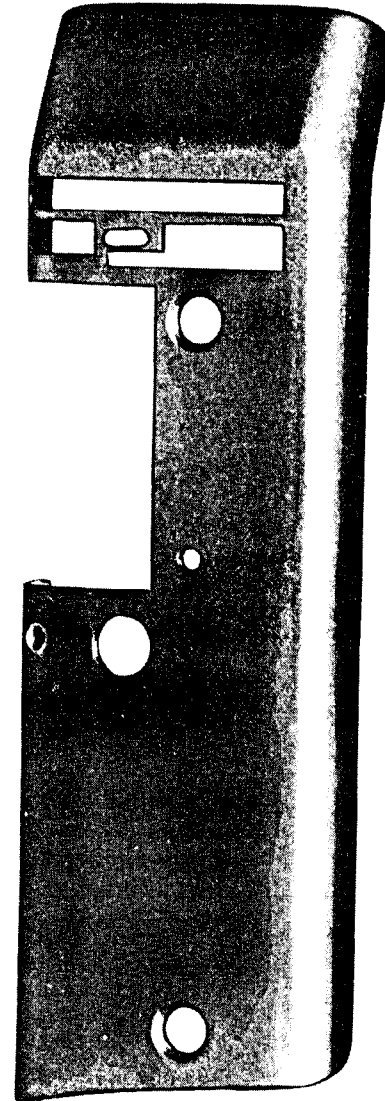
No.	Plate	Name
59300	-----	Knee Lifter complete (power table) for 105-1 and 105-2 Machines, Nos. 21D, 194D, 32040, 32135, 59298 and 59299, obsolete superseded by 59512, not interchangeable.....
59337	-----	Knee Lifter complete (power table) for 105-3 Machine, Nos. 21D, 194D, 59298, 59299, 59324 and 59336.....
59298	22577	Lifting Lever with 194D, obsolete superseded by 59509, not interchangeable
59299	7374	Lifting Lever Spring, obsolete superseded by 59510, not interchangeable...
	194D	7374 Lifting Lever Spring Screw Stud, for 59298, 59300 and 59337.....
	938E	7373 Machine Bolt with 1524E, to secure Machine to table, use 51077E.....
	1524E	7373 Machine Bolt Nut, use 51581E.....
59502	-----	Needle Bar Lever Connecting Rod with 42367, 59242, 59503 and two each 127E and 647E.....
59515	-----	Needle Bar Lever Connecting Rod 59502 with 59240 and 59504.....
	127E	7374 Needle Bar Lever Connecting Rod Cap (lower) Screw, use 141E.....
59243	7331	Needle Bar Lever Connecting Rod Eccentric with 59244 and two 448C.....
59504	22577	Needle Bar Lever Connecting Rod Eccentric with 448C, 1299C and 59244.....
59244	7329	Needle Bar Lever Connecting Rod Eccentric Oil Pad (felt) with 189E, obsolete superseded by 59608, not interchangeable.....
	189E	7329 Needle Bar Lever Connecting Rod Eccentric Oil Pad Screw, for 59244.....
	453C	7331 Needle Bar Lever Hinge Pin Set Screw, use 448C.....
	36578	----- Oiler (copper plated) with 36579, use 120342.....
	36579	----- Oiler Spout, 3 1/2 in. long, with 120117 use 120343.....
120117	-----	Oiler Spout Washer (leather) for 36579..
51810	7371	Presser Bar Lifter Roller and Stud.....
59254	7372	" " " " Bracket with 51811 and two 51810.....
	193D	7331 Presser Bar Lifter Roller Bracket Screw.
59255	7372	" " Lifting Bracket with 457C...
59256	7372	" " " " Guide with 620C.....
	620C	7374 Presser Bar Lifting Bracket Guide Set Screw, use 624C.....

PLATE 7327 - FULL SIZE

59212 12 teeth = 1 inch



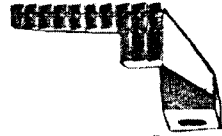
59290



From the library of: Diamond Needle Corp

PLATE 7328 - FULL SIZE

59302  
12 teeth = 1 inch



59305

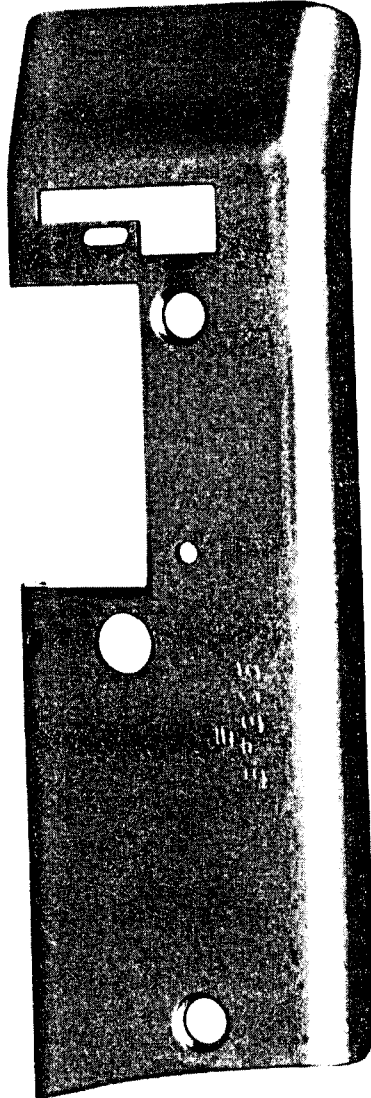


PLATE 7329 - FULL SIZE

59221



59219

59220



50150

59222



59227

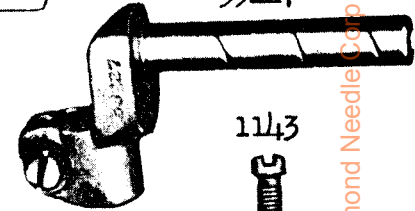
59234

590

1143

59226

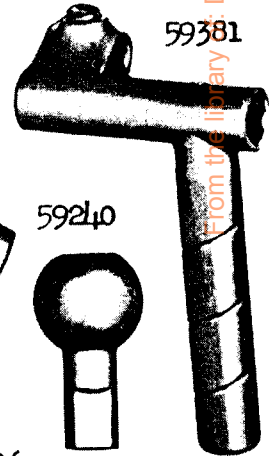
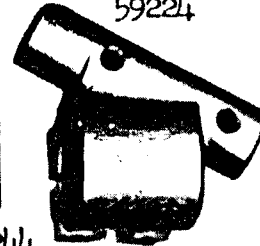
T



50395

59224

59381



59240

59244

59225

1186

189



From the library: Diamond Needle Corp

PLATE 7331 - FULL SIZE

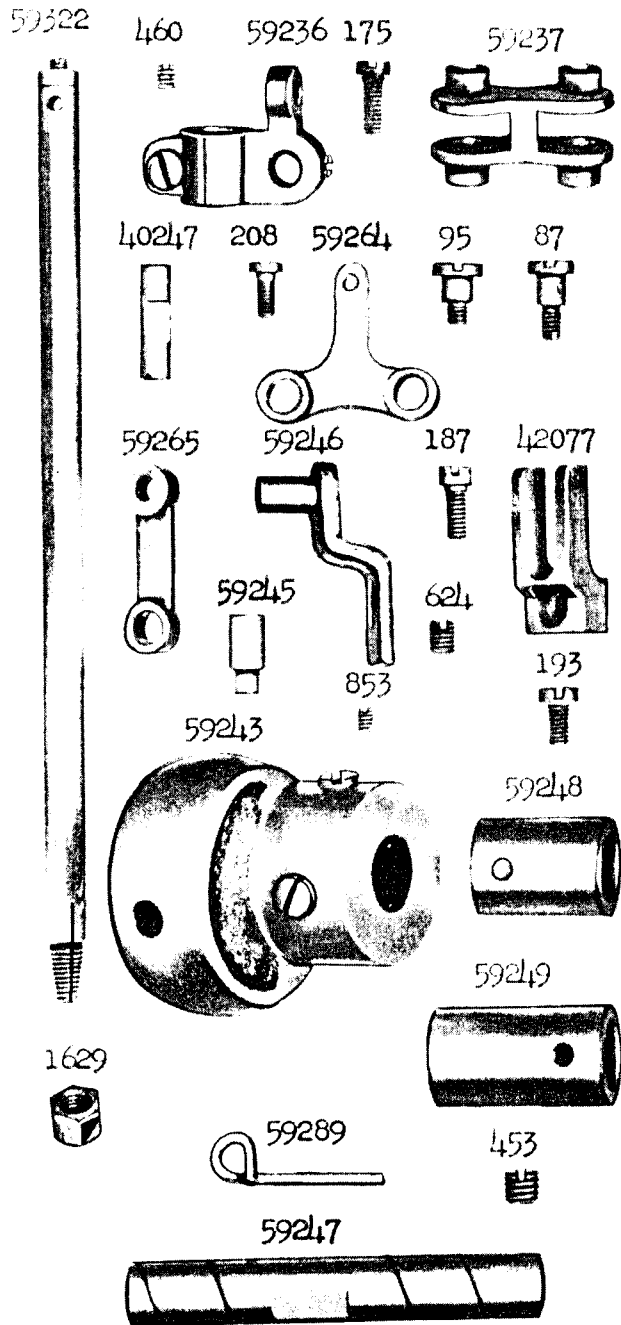
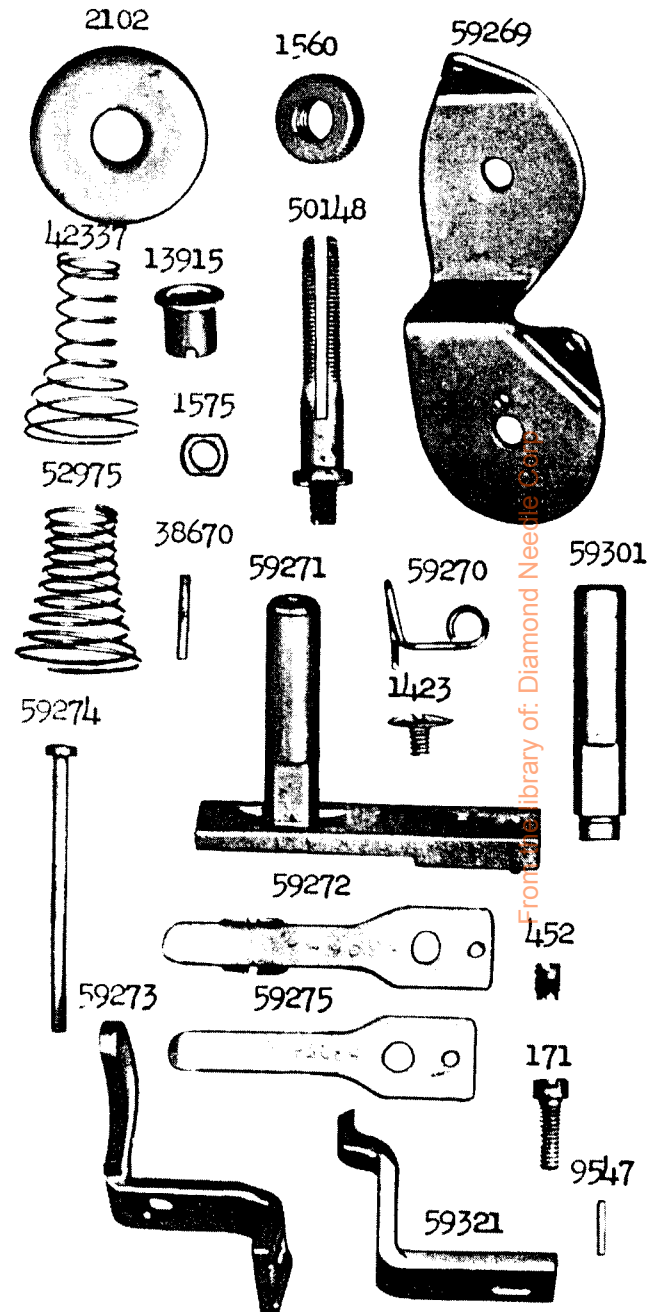


PLATE 7335 - FULL SIZE



From the library of: Diamond Needle Corp.

PLATE 7336 - FULL SIZE

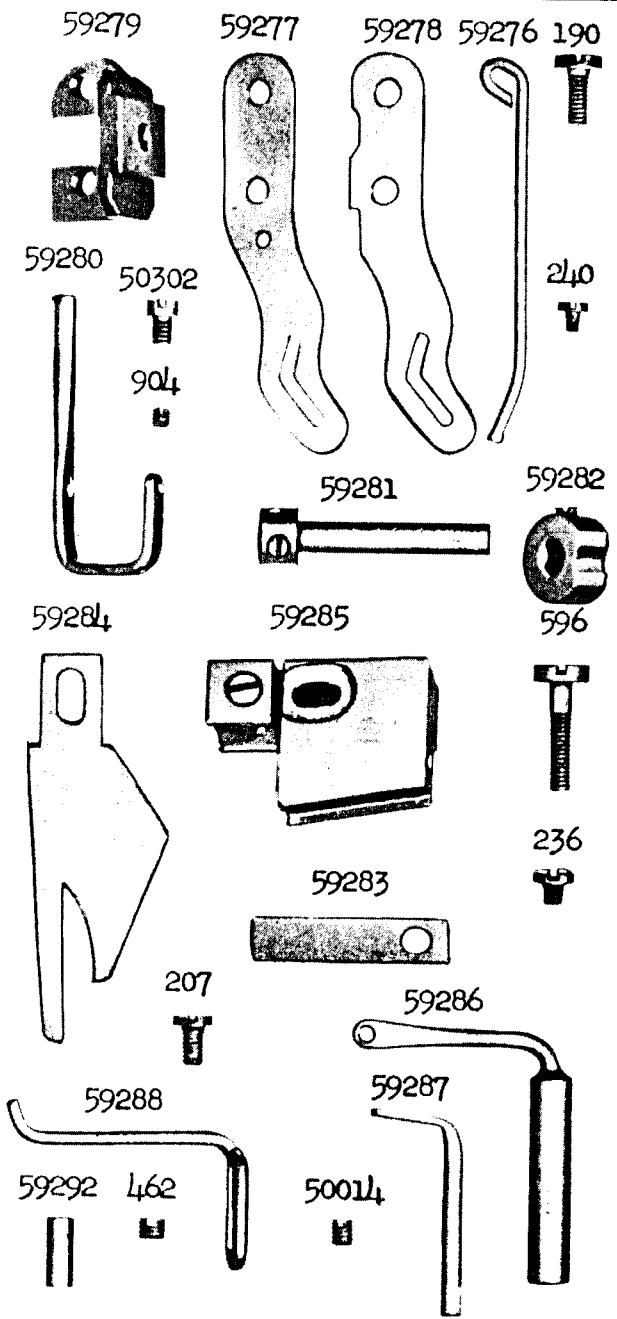
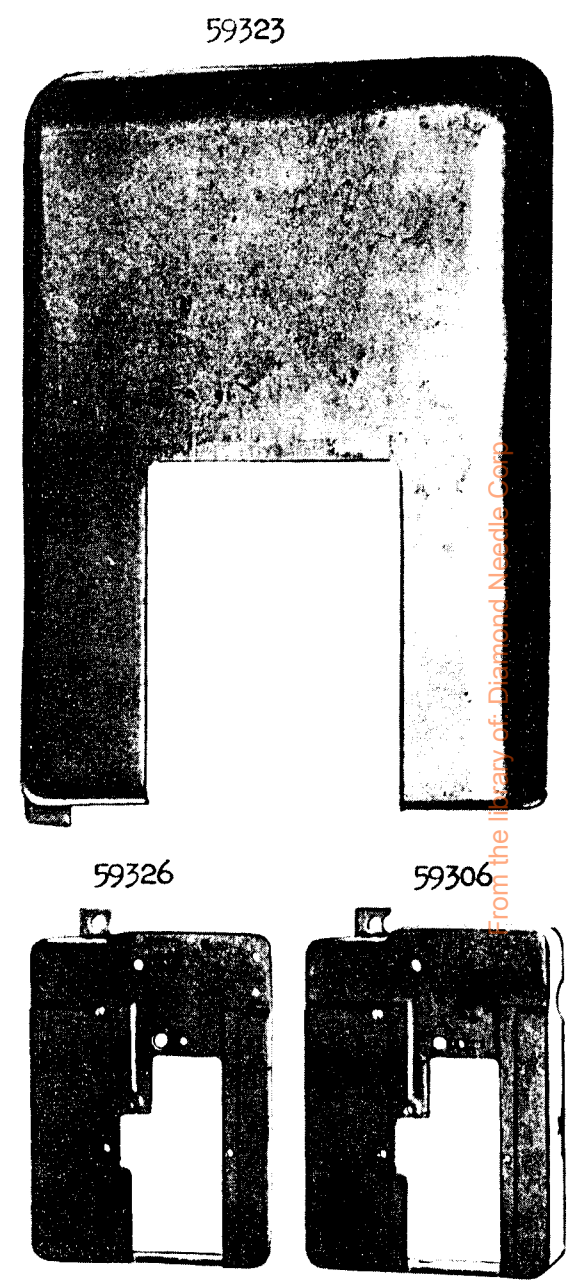


PLATE 7337 - ONE-FOURTH SIZE



From the library of Diamond Needle Corp

PLATE 7339 - FULL SIZE

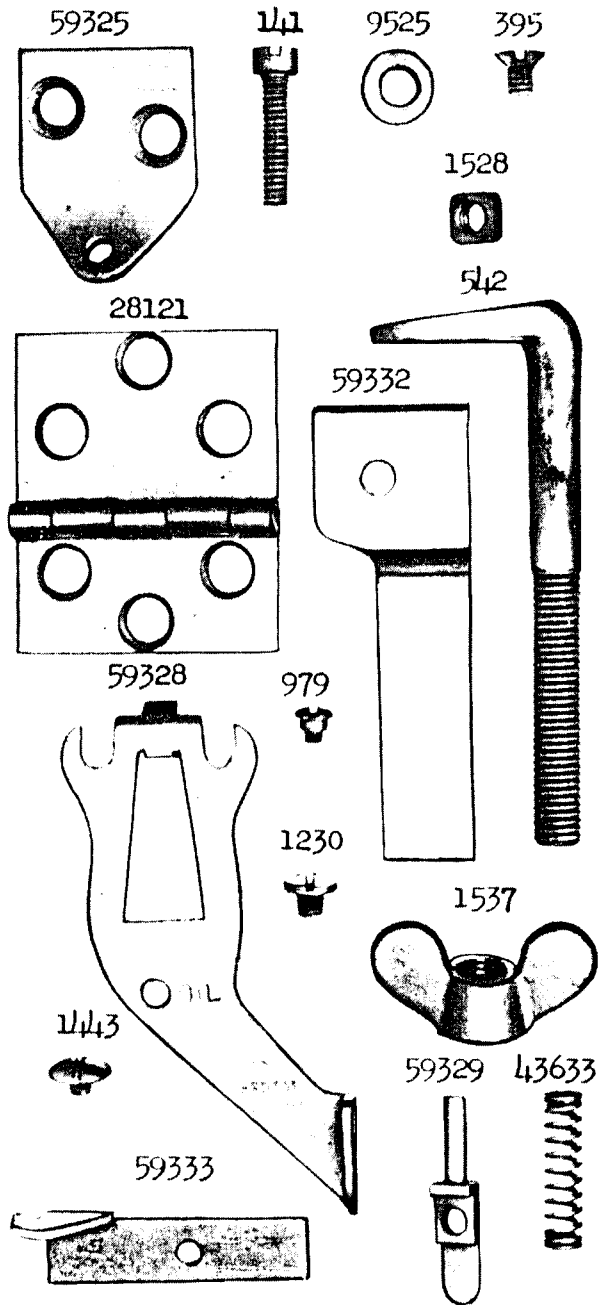
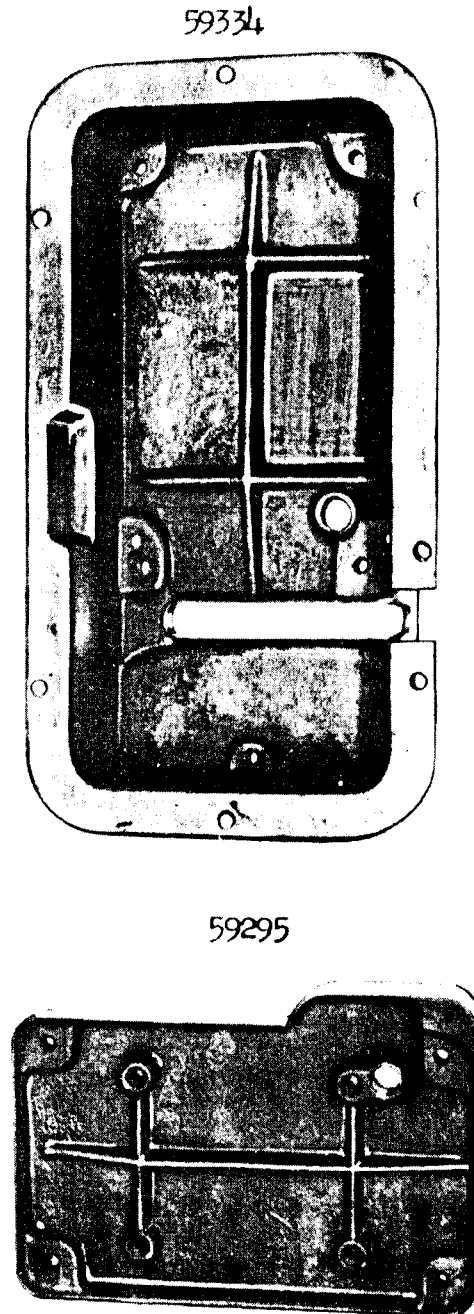


PLATE 7342 - ONE-FOURTH SIZE



From the library of: Diamond Needle Corp

PLATE 7368 - FULL SIZE

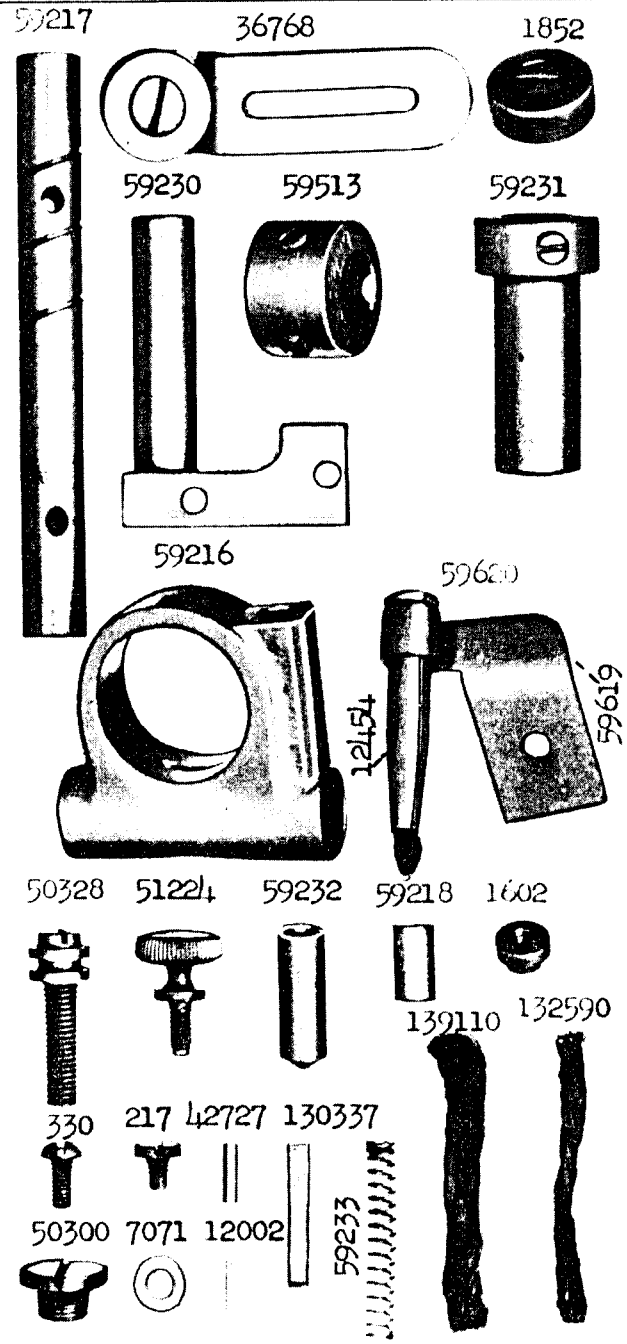
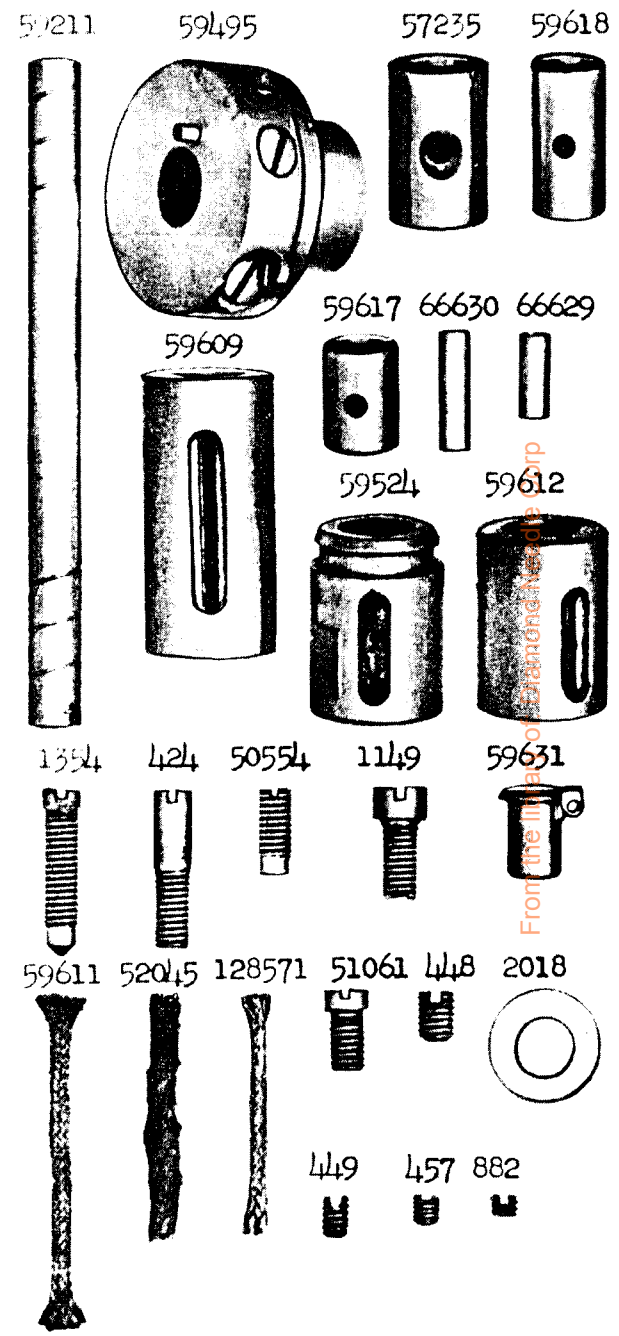


PLATE 7369 - FULL SIZE



From the collection of the Smithsonian Institution



PLATE 7370 - FULL SIZE

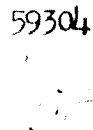
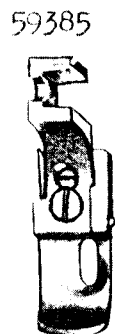
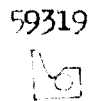
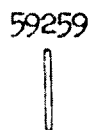
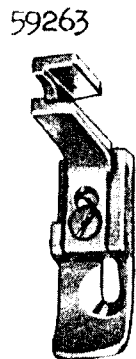
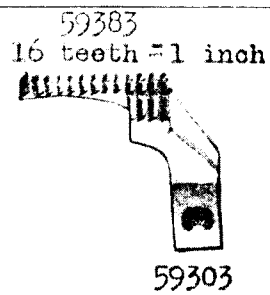
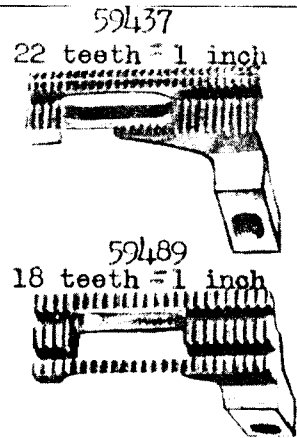


PLATE 7371 - FULL SIZE

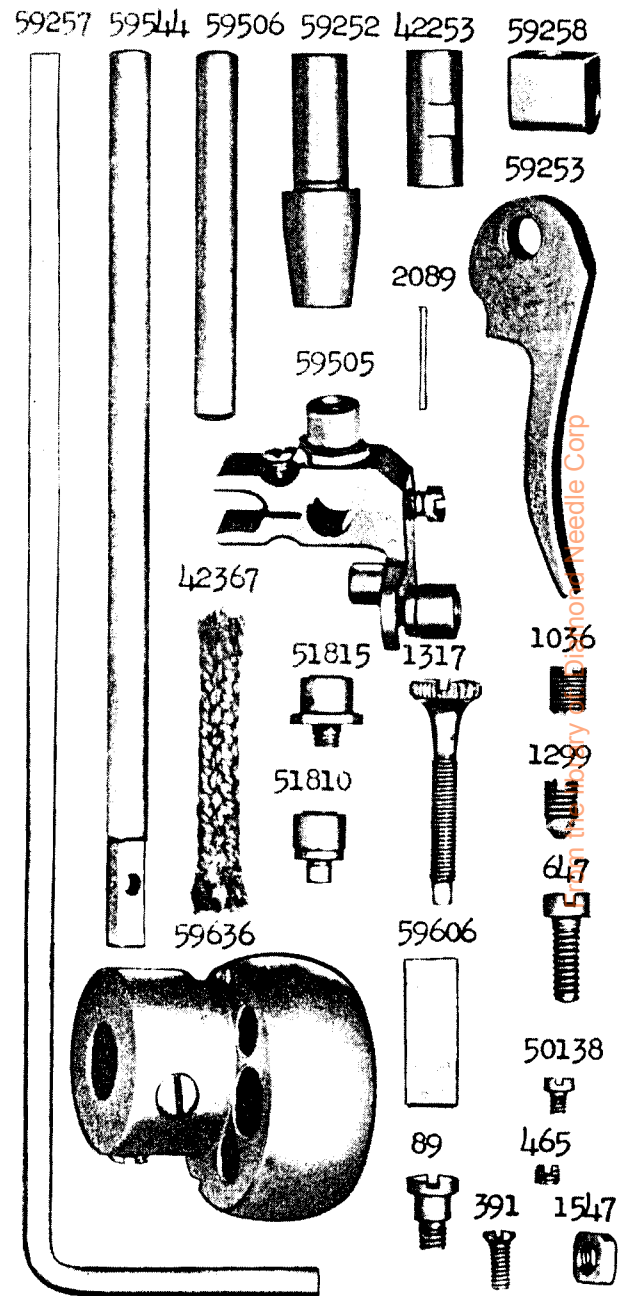


PLATE 7372 - FULL SIZE

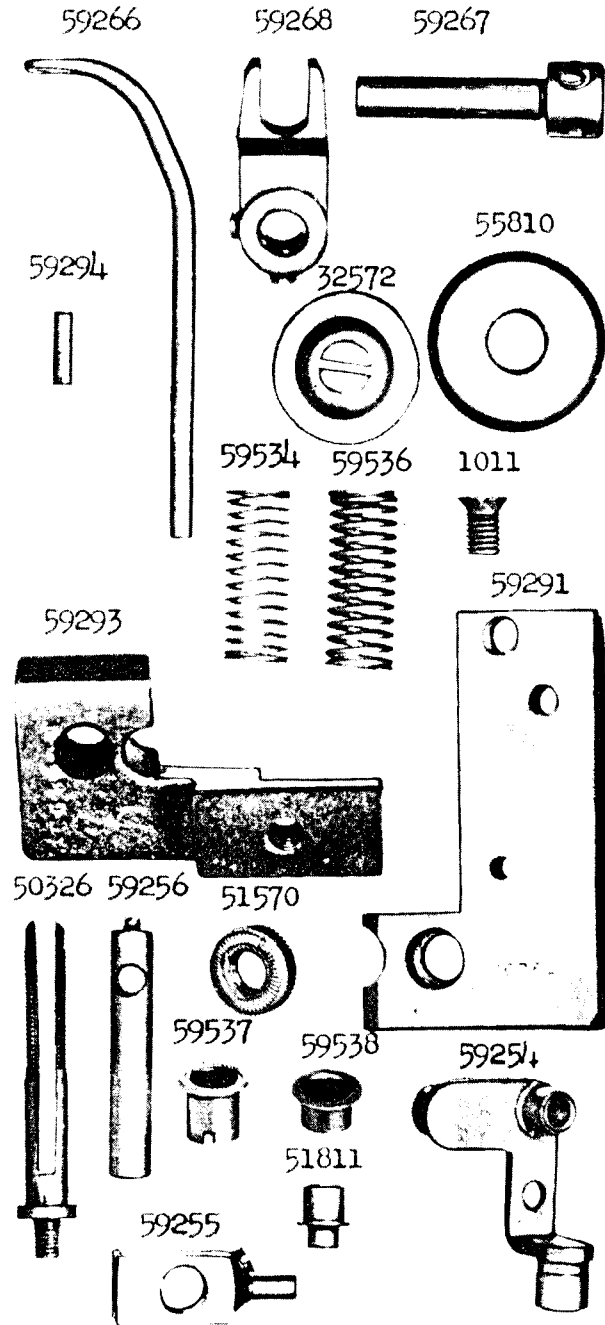
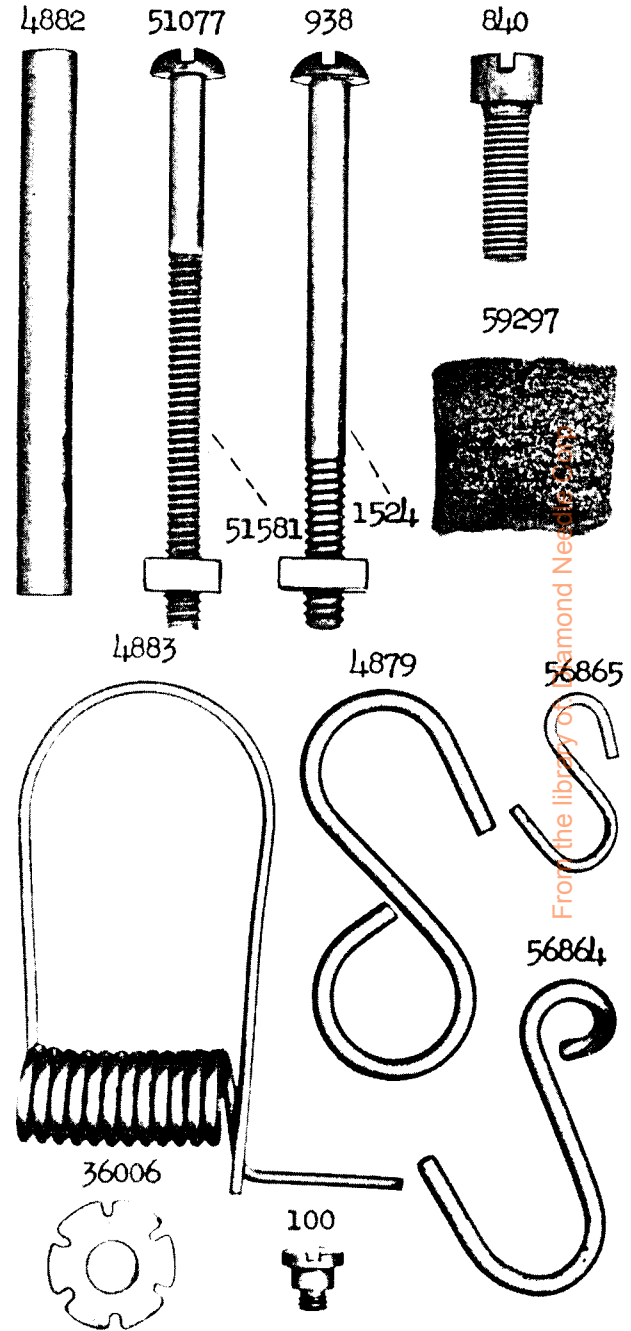


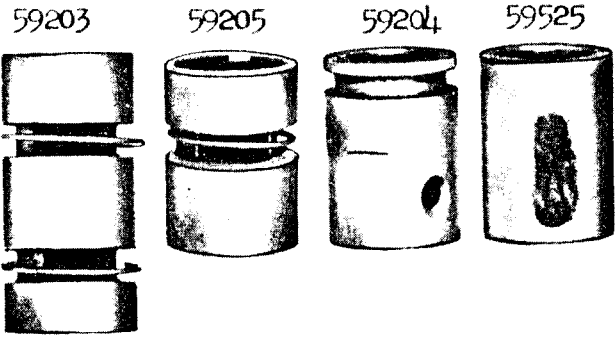
PLATE 7373 - FULL SIZE



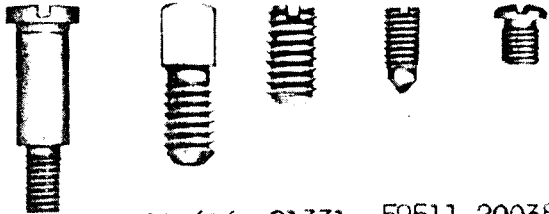
From the library of

Diamond Needle Co.

PLATE 7374 - FULL SIZE



21 356 50371 1285 201018



225322 201696 21331 59511 200383

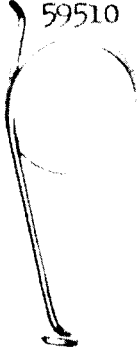


225326 59206 219 458 620

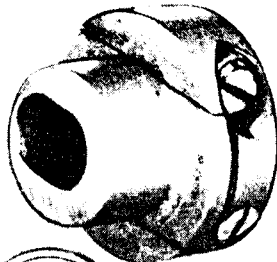


59215

127



59510



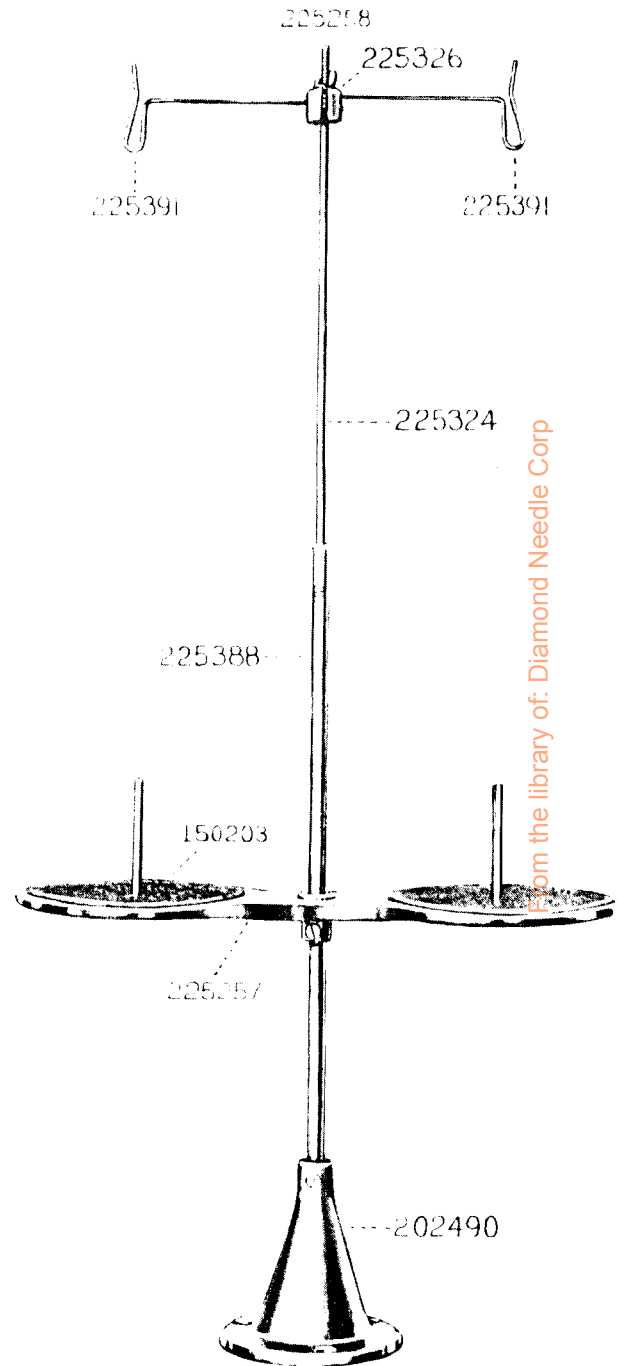
59209



194



PLATE 20335 - ONE-SIXTH SIZE



From the library of: Diamond Needle Corp

PLATE 22576 - FULL SIZE

59311



59312



59302  
12 teeth = 1 inch



59310



59212  
12 teeth = 1 inch



59490



691

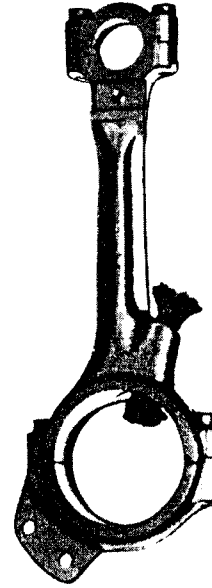


PLATE 22577 - ONE-HALF SIZE

59202



59603



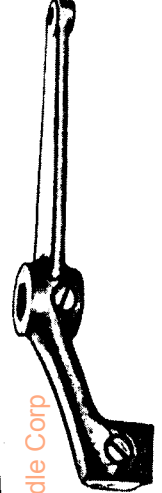
59509



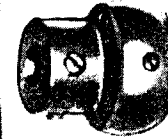
59298



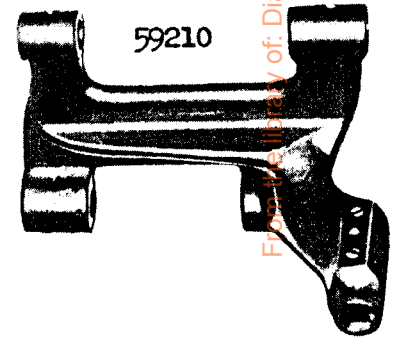
59238



59504



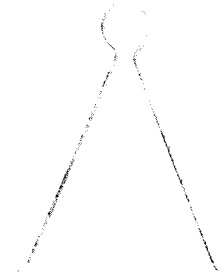
59210



27739



225390



Property of Diamond Needle Corp

PLATE 22578 - ONE-HALF SIZE

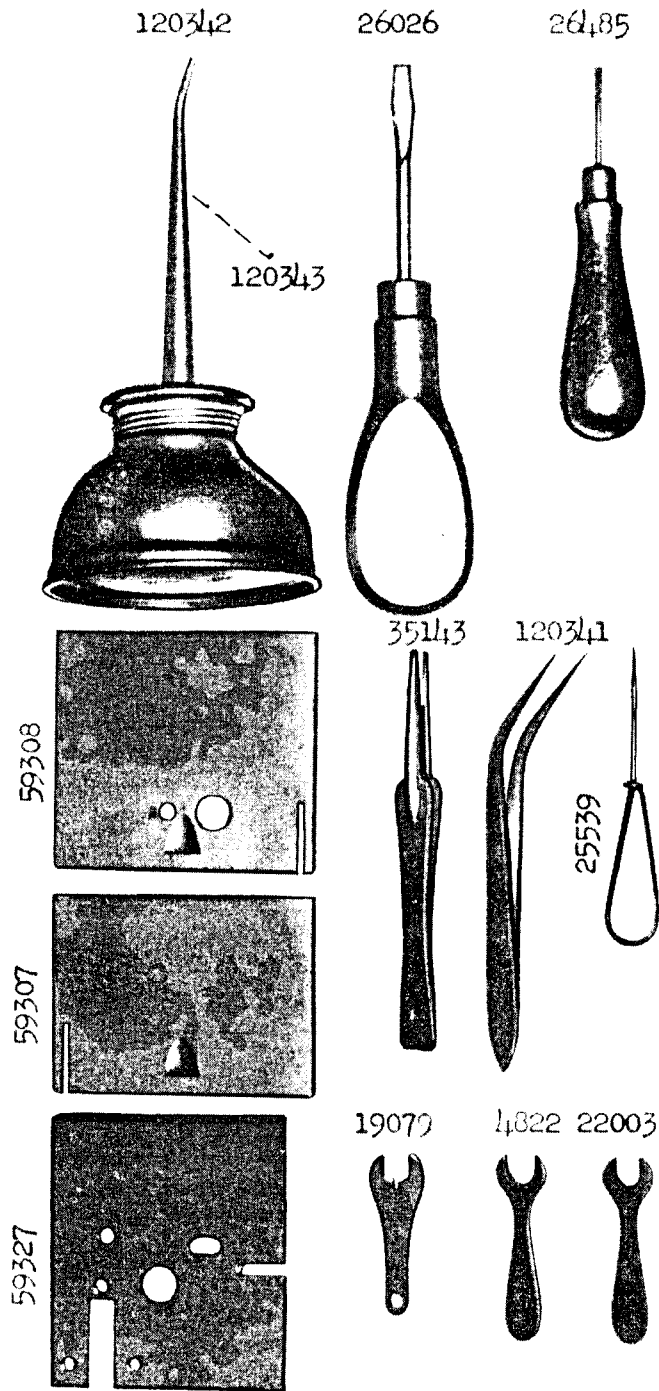


PLATE 22579 - ONE-HALF SIZE

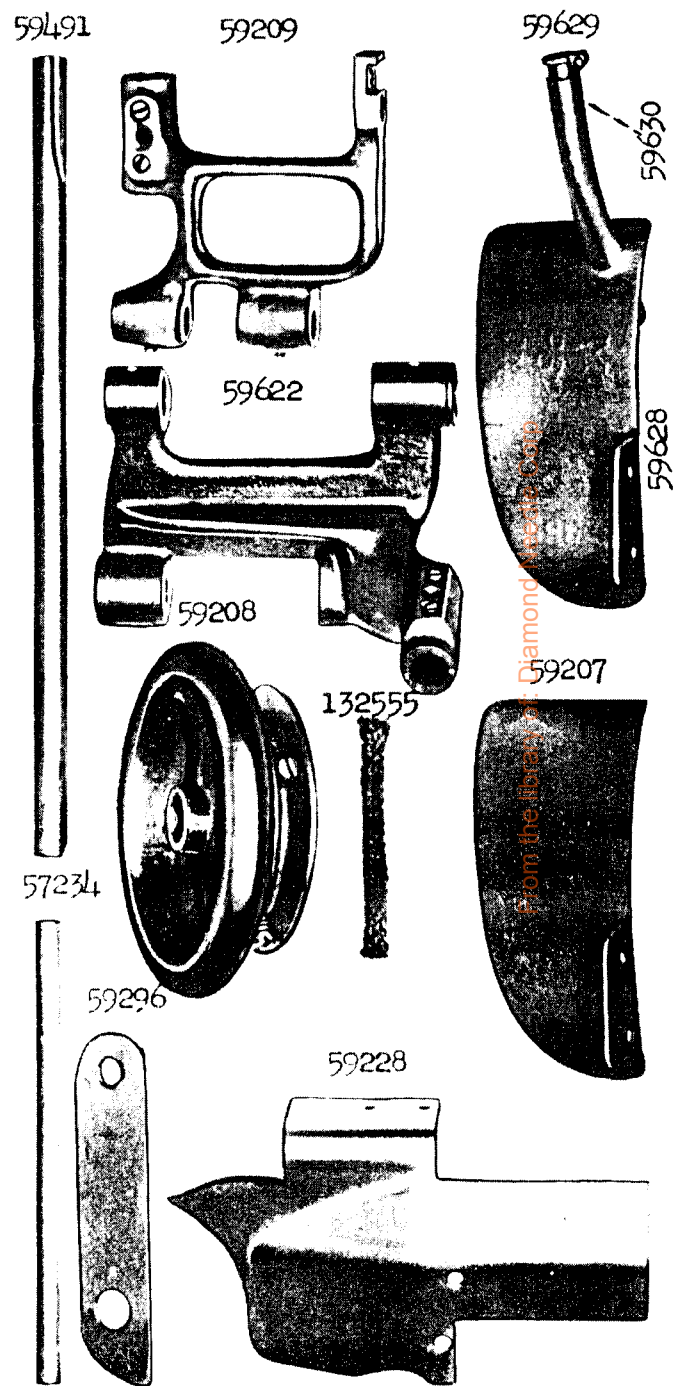


PLATE 22580 - ONE-FOURTH SIZE

